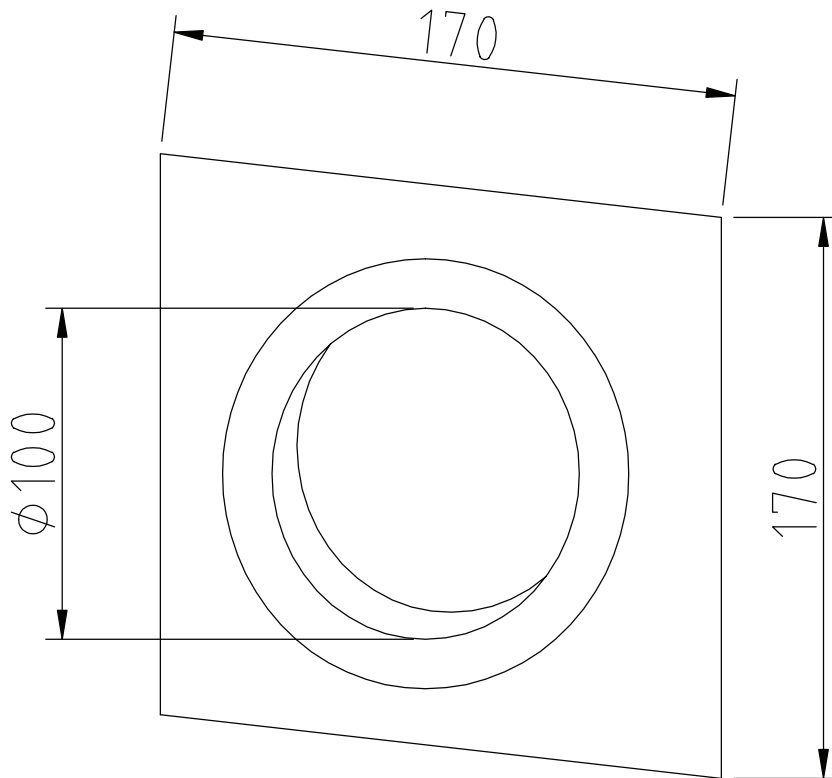
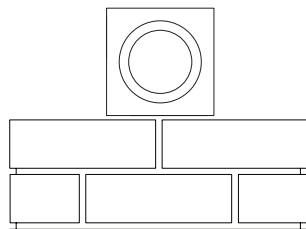


Newspaper Ring Square

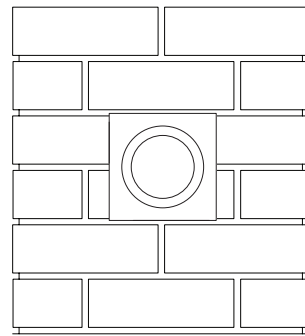
Instructions



Cut a piece of 100mm PVC Pipe to the desired length. Slide the PVC pipe over the paper ring. Secure and seal with silicone or similar adhesive.



Build up brick work to desired height and set paper ring in place



Complete remaining brickwork